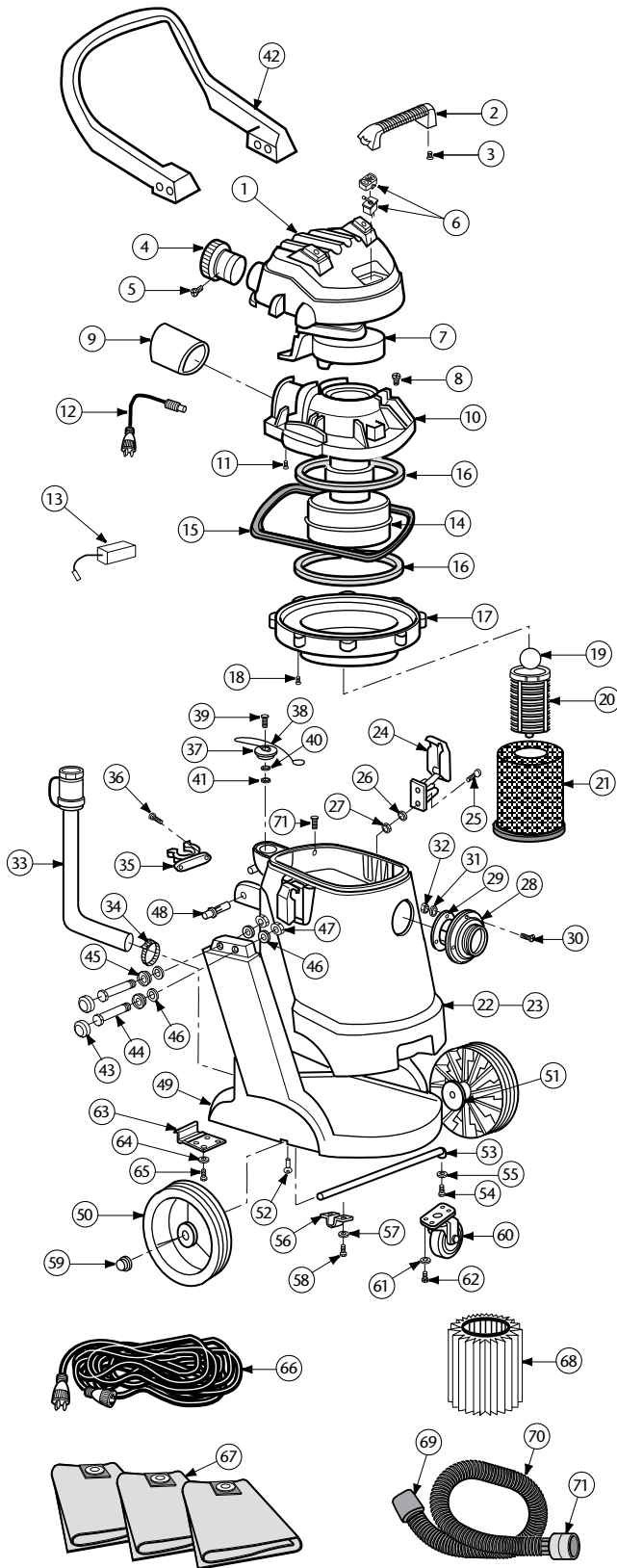


PROGUARD 15/20 PARTS



| No. | Product Name | Qty | List Price |
|-----|--|-------|------------|
| 1 | 510097 Motor Cover Assembly (ProGuard 15 only) | 1 ea. | \$ 11.66 |
| | 510104 Motor Cover Assembly (ProGuard 20 only) | 1 ea. | 18.95 |
| 2 | 830565-2 Handle Motor Cover | 1 ea. | 2.31 |
| 3 | 820563-4 Screw Type AB #10 x 3/4" | 1 ea. | .05 |
| 4 | 833600 Diffuser Assembly | 1 ea. | 3.83 |
| 5 | 820563-4 Screw Type AB #10 x 3/4" | 1 ea. | .05 |
| 6 | 510127 Switch Assembly | 1 ea. | 1.84 |
| 7 | 831651 Motor Exhaust Duct | 1 ea. | 6.04 |
| 8 | 826453-2 Screw 10-32 X 3/4" | 1 ea. | .16 |
| 9 | 830609 Exhaust Foam Pad | 1 ea. | 1.47 |
| 10 | 831653-3 Lid | 1 ea. | 11.13 |
| 11 | 820563-4 Screw Type AB #10 x 3/4" | 1 ea. | .05 |
| 12 | 833417 Power Cord Assembly | 1 ea. | 21.74 |
| 13 | 822374-8 Carbon Brush Set | 1 set | 4.88 |
| 14 | 831567 Motor Assembly Complete | 1 ea. | 83.21 |
| 15 | 833518 Gasket Lid | 1 ea. | 8.93 |
| 16 | 827415 Gasket Motor | 1 ea. | 4.36 |
| 17 | 831659 Collector Assembly with Foam | 1 ea. | 9.19 |
| 18 | 820563-4 Screw Type AB #10 x 3/4" | 1 ea. | .05 |
| 19 | 833778 Ball Float | 1 ea. | 1.21 |
| 20 | 830101-1 Filter Cage | 1 ea. | 2.73 |
| 21 | 107177 Wet Filter | 1 ea. | 25.15 |
| 22 | 833603 Tank, 20 Gallon (ProGuard 20 only) | 1 ea. | 183.23 |
| 23 | 833602 Tank, 15 Gallon (ProGuard 15 only) | 1 ea. | 166.43 |
| 24 | 833424-1 Drum Latch | 1 ea. | 4.94 |
| 25 | 833492-1 Screw 10-32 X 3/4" | 1 ea. | 1.00 |
| 26 | 833493 Washer (13/64 ID) #10 | 1 ea. | .05 |
| 27 | 161255-8 Nut Lock #10 | 1 ea. | .32 |
| 28 | 833425 Tank Inlet Adapter | 1 ea. | 2.21 |
| 29 | 833426 Gasket Inlet Adapter | 1 ea. | .89 |
| 30 | 833492 Screw 10-32 X 1 1/4" | 1 ea. | .37 |
| 31 | 833493 Washer (13/64 ID) #10 | 1 ea. | .05 |
| 32 | 161255-8 Nut Lock #10 | 1 ea. | .32 |
| 33 | 833451 Hose Drain Assembly 30" (includes #34) | 1 ea. | 22.00 |
| 34 | 833452 Hose Clamp | 1 ea. | 3.41 |
| 35 | 826881 Hose Clip | 1 ea. | 1.10 |
| 36 | 808872-2 Screw 10-32 X 1 1/4" | 1 ea. | .07 |
| 37 | 833449 Cap Rubber Drum Pour Spout | 1 ea. | 4.36 |
| 38 | 833450 Pour Spout Cable Lanyard | 1 ea. | 3.89 |
| 39 | 833492 Screw 10-32 X 1 1/4" | 1 ea. | .37 |
| 40 | 833493 Washer (13/64 ID) #10 | 1 ea. | .05 |
| | 833492-1 Screw 10-32 x 3/4" (not pictured) | 1 ea. | 1.00 |
| 41 | 161255-8 Nut Lock #10 | 1 ea. | .32 |
| 42 | 833465 Handle, Cart Base | 1 ea. | 60.85 |
| 43 | 100371 Cap | 1 ea. | .68 |
| 44 | 832397-1 Screw Hex 3/8-16 X 3 3/4" | 1 ea. | 4.41 |
| 45 | 833779 Cap Retainer | 1 ea. | .47 |
| 46 | 805557-1 Washer 13/32 ID | 1 ea. | .05 |
| 47 | 161255-2 Nut Lock 3/8-16 | 1 ea. | .16 |
| 48 | 833454 Bushing, Drum Hinge | 1 ea. | 1.26 |
| 49 | 833456 Base, Cart | 1 ea. | 179.03 |
| 50 | 833459 Wheel 10" | 1 ea. | 13.60 |
| 51 | 833460 Wheel Spacer | 1 ea. | .58 |
| 52 | 833662 Thumb Screw | 1 ea. | .79 |
| 53 | 831024-3 Axle | 1 ea. | 4.52 |
| 54 | 805466-3 Screw Hex HD 5/16-18 X 5/8" | 1 ea. | .26 |
| 55 | 140755-12 Lock Washer Ext 5/16" | 1 ea. | .05 |
| 56 | 833461 Axle Bracket | 1 ea. | 1.63 |
| 57 | 140755-12 Lock Washer Ext 5/16" | 1 ea. | .05 |
| 58 | 805466-3 Screw Hex HD 5/16-18 X 5/8" | 1 ea. | .26 |
| 59 | 813836-1 Nut Washer Cap | 1 ea. | .53 |
| 60 | 833462 Caster 4" w/Bearings | 1 ea. | 16.85 |
| 61 | 140755-12 Lock Washer Ext 5/16" | 1 ea. | .05 |
| 62 | 805466-3 Screw Hex HD 5/16-18 X 5/8" | 1 ea. | .26 |
| 63 | 833463 Plate Pedal Lock | 1 ea. | 6.67 |
| 64 | 140755-12 Lock Washer Ext 5/16" | 1 ea. | .05 |
| 65 | 805466-3 Screw Hex HD 5/16-18 X 5/8" | 1 ea. | .26 |
| 66 | 833432 50' Extension Cord | 1 ea. | 60.64 |
| 67 | 107180 Intercept Micro Filter | 3/pk | 35.34 |
| 68 | 107175 Qwik Lock Fine Dust Filter | 1 ea. | 25.15 |
| 69 | 831577 Swivel Hose Cuff 1 1/2" | 1 ea. | 2.42 |
| 70 | 107198 Hose Assembly | 1 ea. | 41.84 |
| 71 | 833587 Locking Ring Cuff | 1 ea. | 8.03 |